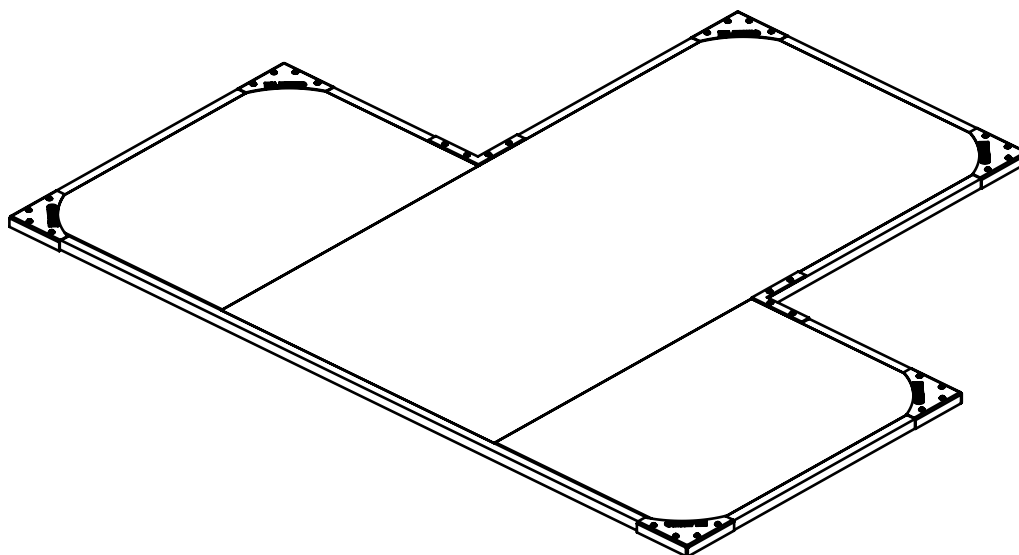


INSERT PLATFORM FOR ELEIKO XF 80 HOME RACK

Art.no. 3085354



ELEIKO

READ BEFORE INSTALLATION AND USE

CAUTION

The equipment must be installed and used in a place whose access and supervision are specifically controlled by the owner.

Be sure to install the equipment on a stable base and properly level the equipment. ELEIKO recommends that all equipment is secured to floor and installed by a licensed contractor or an ELEIKO-installer.

SAFETY INSTRUCTIONS

It is the responsibility of the purchaser of ELEIKO products to instruct all users and supervising personnel on proper usage of the equipment.

1. All included warnings (labels) and instructions **MUST** be read before the use of any ELEIKO-equipment. Use each equipment as it is intended for.
2. A user **MUST** get a medical examination and proper instructions before the use of any ELEIKO-equipment.
3. **DO NOT** let anyone, under any circumstances, use equipment that appears to be damaged. Do not try to repair any equipment before consulting an ELEIKO technician.
4. **DO NOT** replace the components of ELEIKO-equipment with other none ELEIKO-equipment (magnetic safety pin, frames, bars), do not improvise. If there are any doubts consult an ELEIKO representative prior to any intervention.
5. **DO NOT** overload the equipment and **DO NOT** try to exceed personal strength levels.
6. Children under the age of 14 must be supervised by an adult.
7. **DO NOT** remove any safety labels from the ELEIKO-equipment. ELEIKO is not responsible if a label is removed. Replace damaged labels immediately.

PREVENTITIVE MAINTENANCE & INSPECTIONS

REGULARLY:

Clean the surfaces on frames and tubes from dust and dirt.

Check that all bolts between parts, walls, floors are properly tightened, according to recommendations.

Check equipment for sharp edges and replace if necessary.

Check tubes for cracks or other defects, replace if necessary.

WARRANTY

All products manufactured by ELEIKO are warranted to the original purchaser to be free from defects in workmanship and / or materials under normal use or service as follows:

Tubing and corners: 10 years

Wooden deck, rubber tiles: 1 year

Normal wear and tear does not fall under the warranty.

ADDITIONAL INFORMATION

This equipment is for indoor use only.

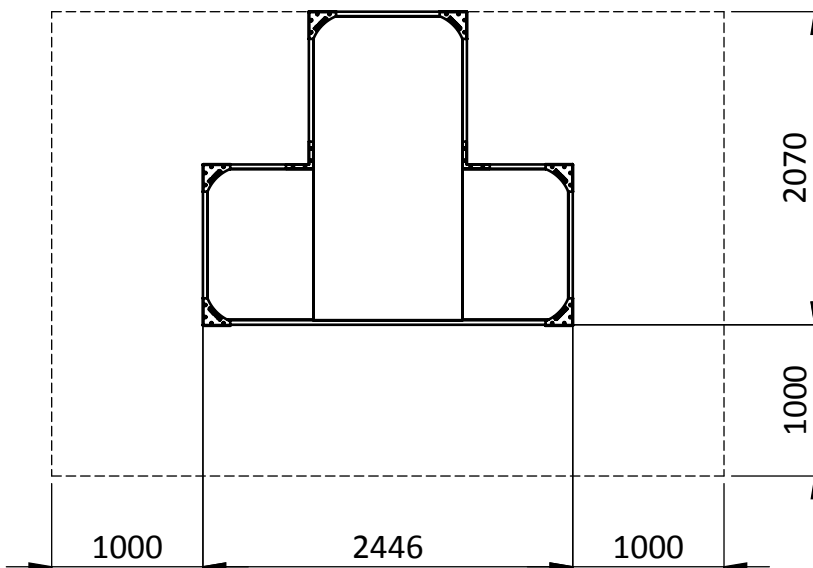
ELEIKO

PRODUCT SPECIFICATIONS

Insert platform for XF 80 Home Rack

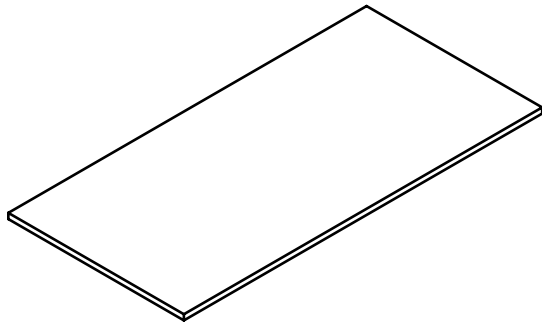
Product weight	100 kg / 220 lbs
Dimensions (L x W x H)	2445x2070x30 mm 96,3x81,5x1,2 inch

FOOTPRINT AREA

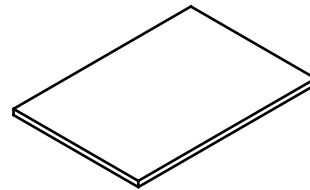


Add sufficient clearance, not less than 1,0 m, on all sides.

CONTENTS



3085381



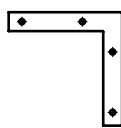
x2

2000404



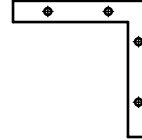
x6

3001384-04



x8

3001384-03



x2

3001745p4

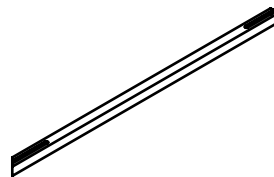


x32

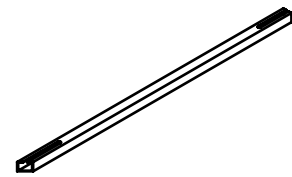
2000747-L12



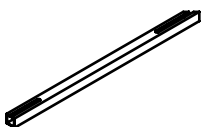
2000379 p8
Square tube
30x30x2 L=2368



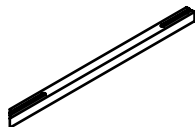
2001191p1
Square tube
30x30x2 L=996



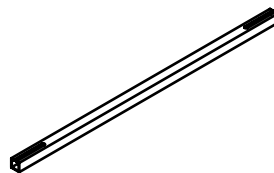
2001191p2
Square tube
30x30x2 L=996



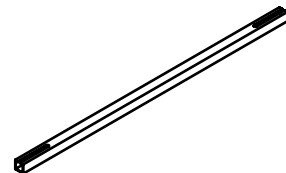
2000379 p1
Square tube
30x30x2 L=691



2000379 p2
Square tube
30x30x2 L=691



2000375 p1
Square tube
30x30x2 L=968



2000375 p6
Square tube
30x30x2 L=988

x2

REQUIRED TOOLS



Allen Key
size 5

GENERAL

The table below is general torque to use for different threads. Use these torques, if nothing else is set. Below numbers are for screw/nut of quality 8.8.

THREAD	TORQUE (Nm / ftlb) Quality 8.8
M8	24 / 17,7

ASSEMBLY INSTRUCTIONS

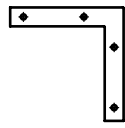
1.

x6



3001384-04

x6

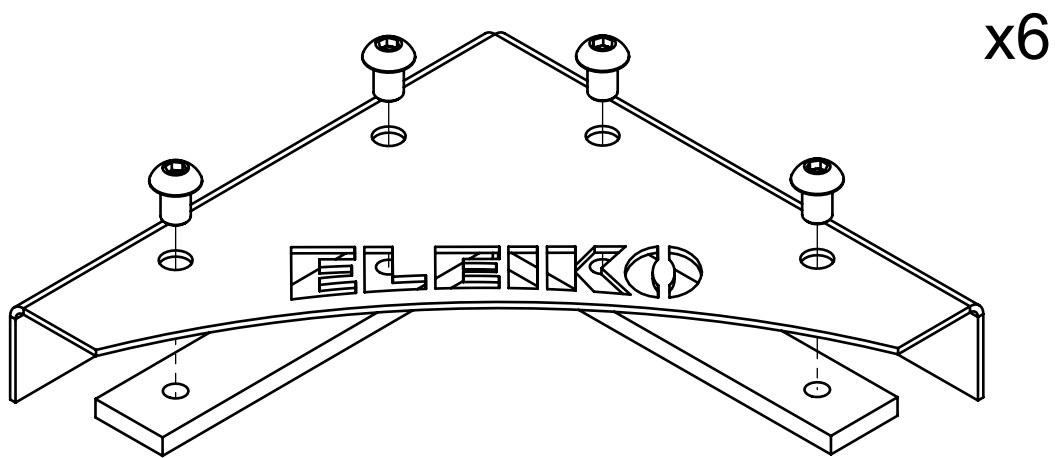


3001384-03

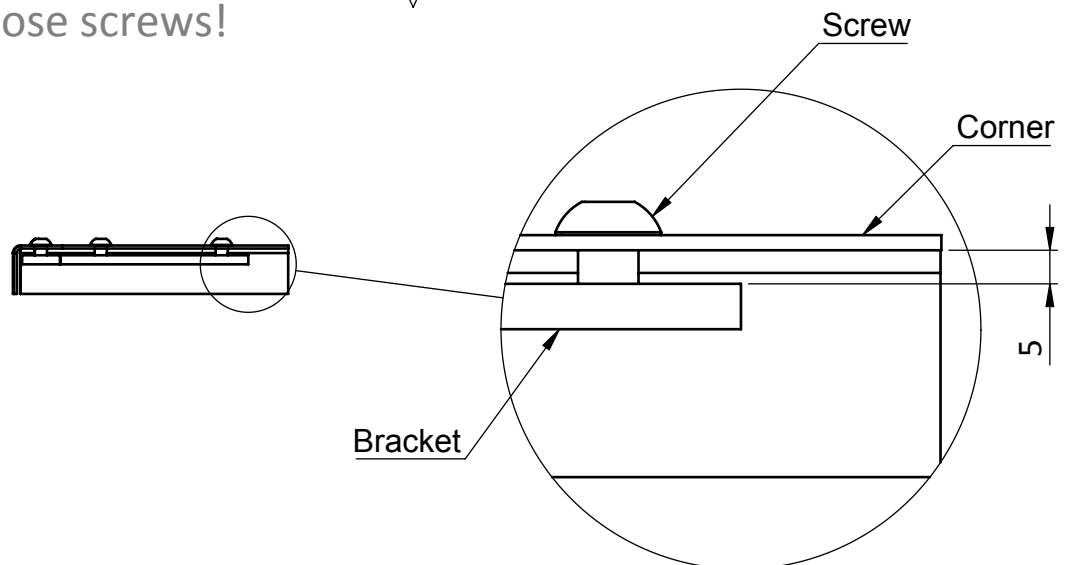
x24



2000747-L12

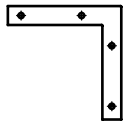


Loose screws!



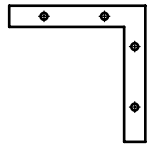
ELEIKO

2. **x2**



3001384-03

x2

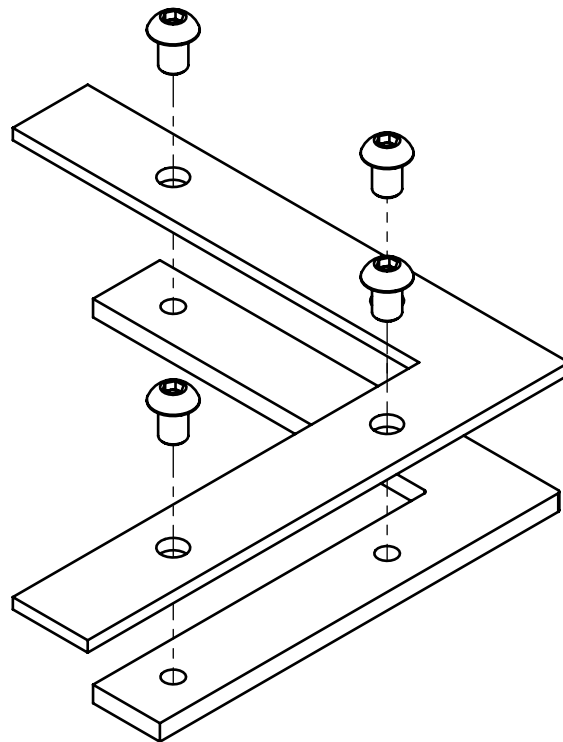


3001745p4

x8



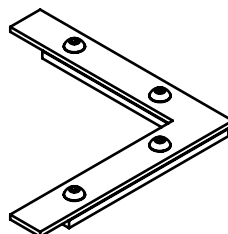
2000747-L12



x2

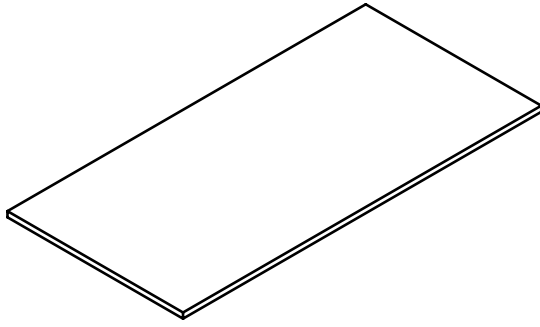


Loose screws!

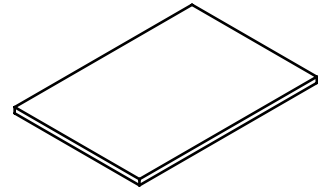


ELEIKO

3.

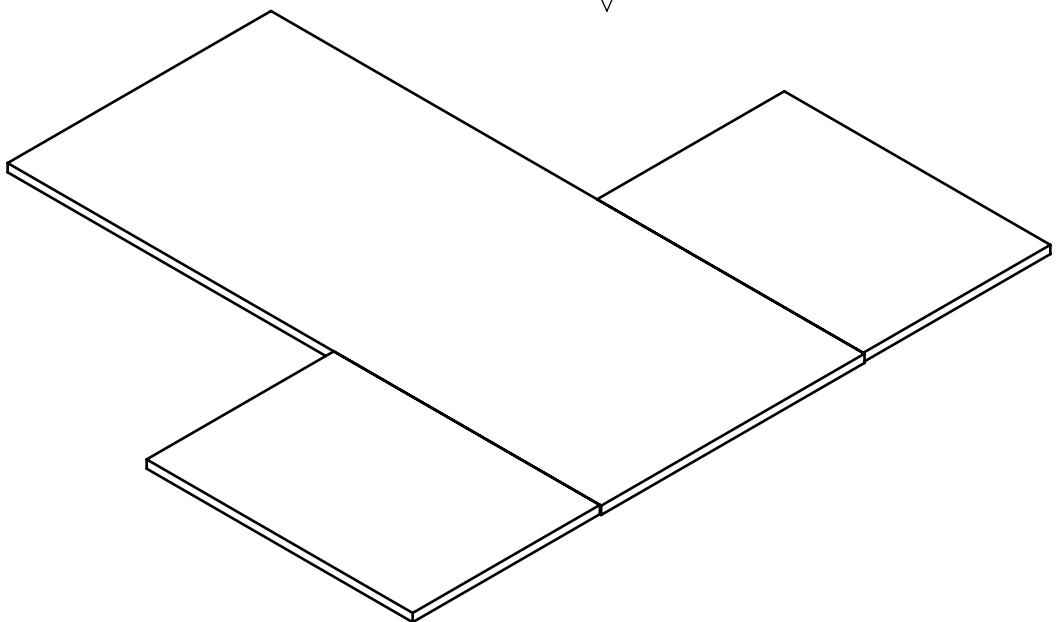
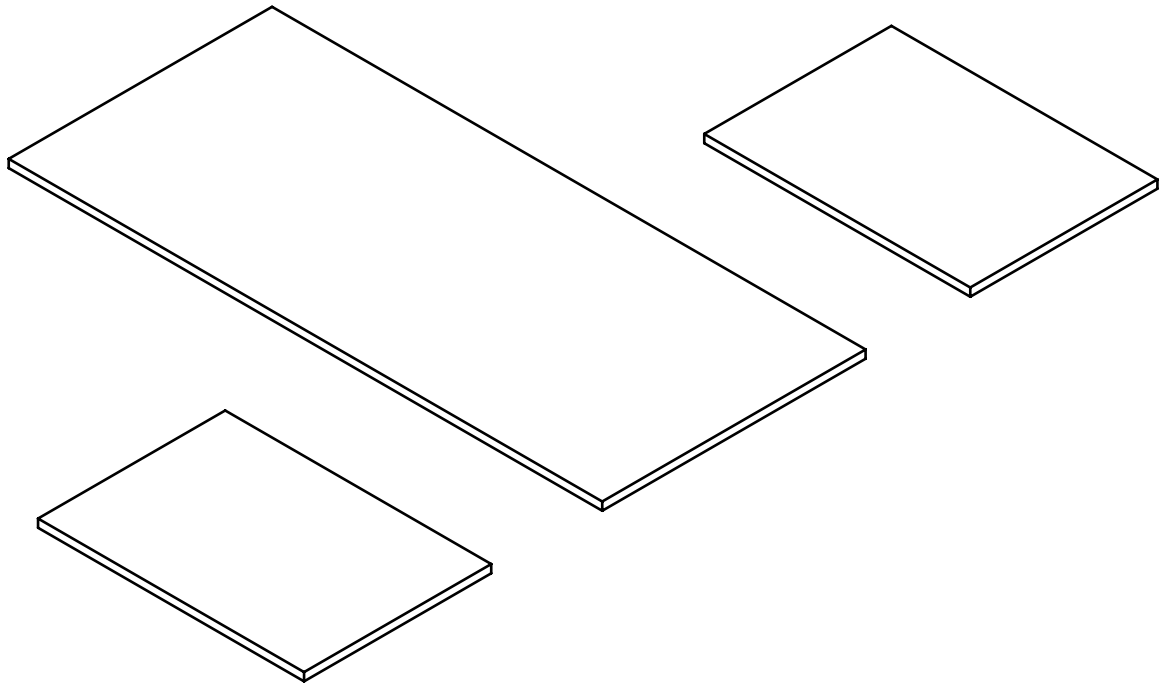


3085381



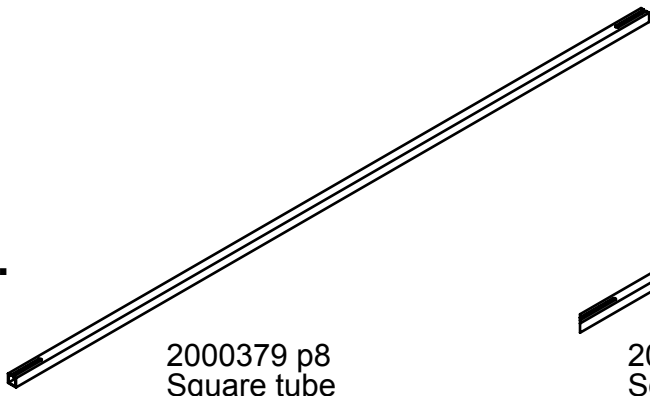
x2

2000404

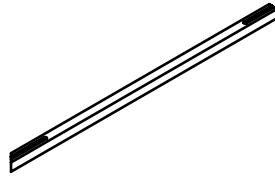


ELEIKO

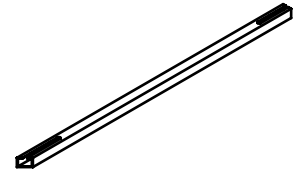
4.



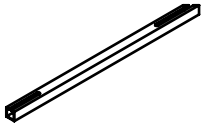
2000379 p8
Square tube
30x30x2 L=2368



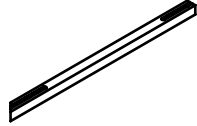
2001191p1
Square tube
30x30x2 L=996



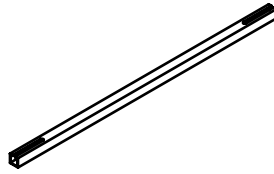
2001191p2
Square tube
30x30x2 L=996



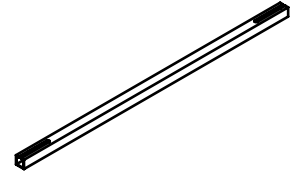
2000379 p1
Square tube
30x30x2 L=691



2000379 p2
Square tube
30x30x2 L=691

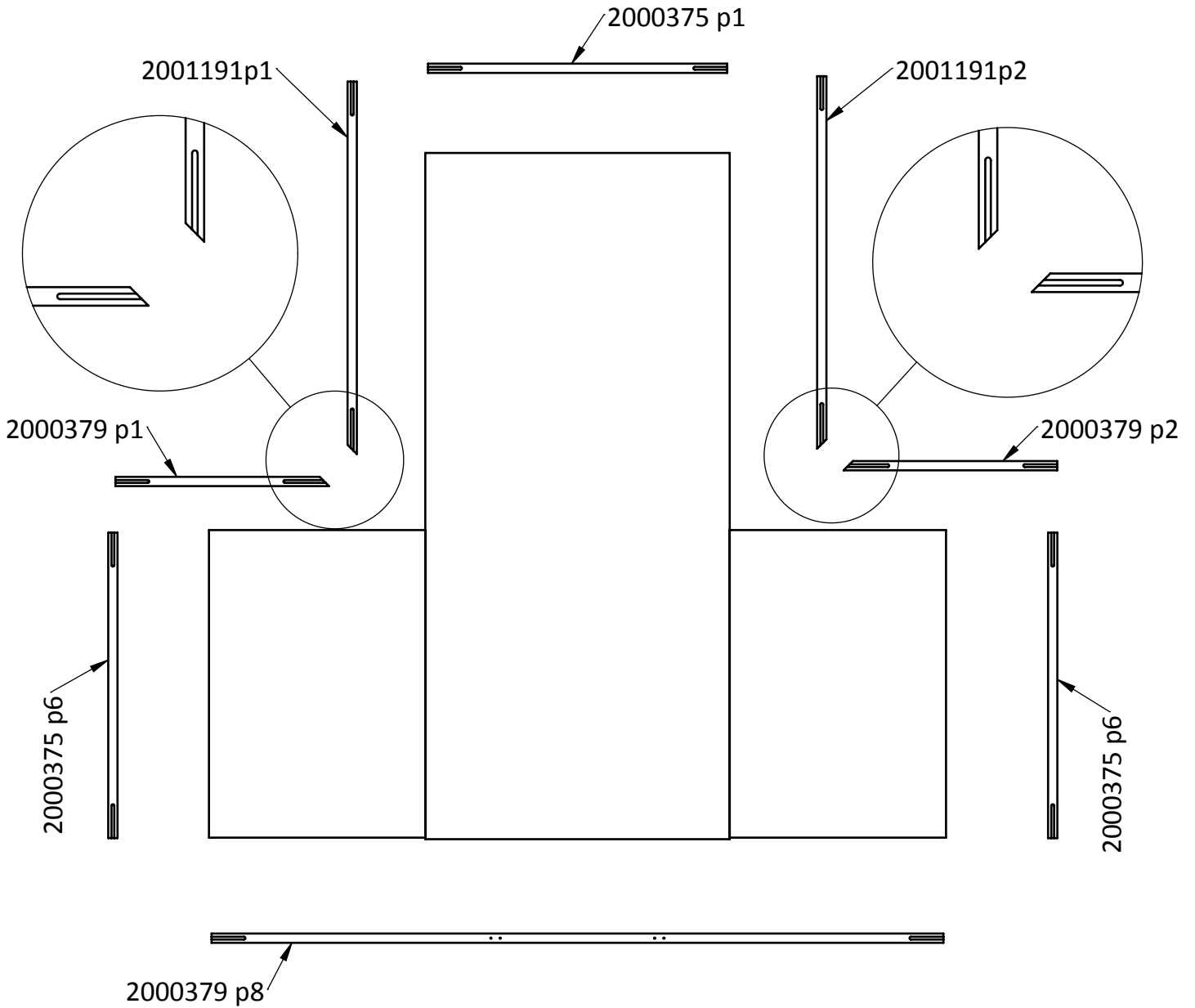


2000375 p1
Square tube
30x30x2 L=968



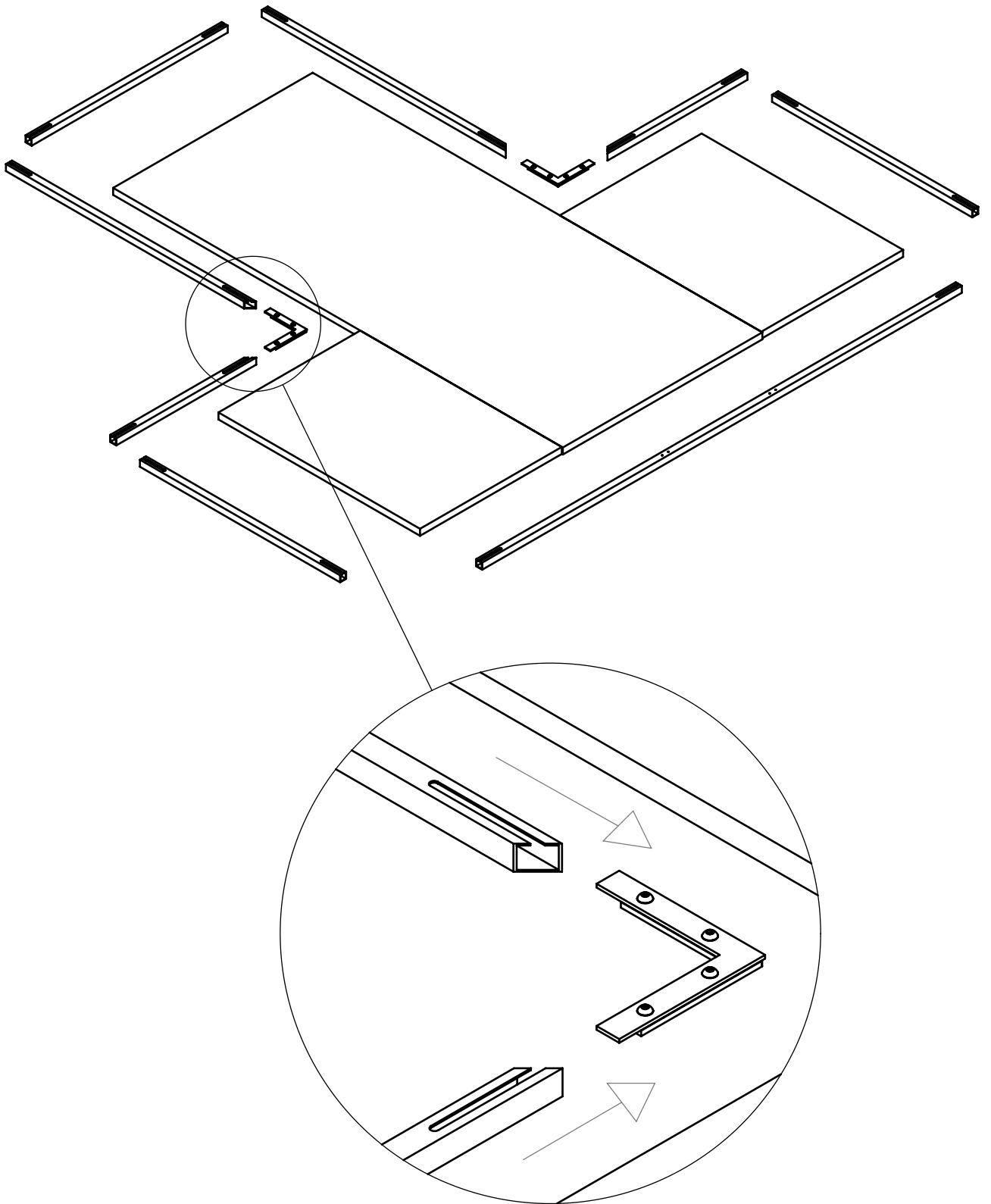
2000375 p6
Square tube
30x30x2 L=988

x2



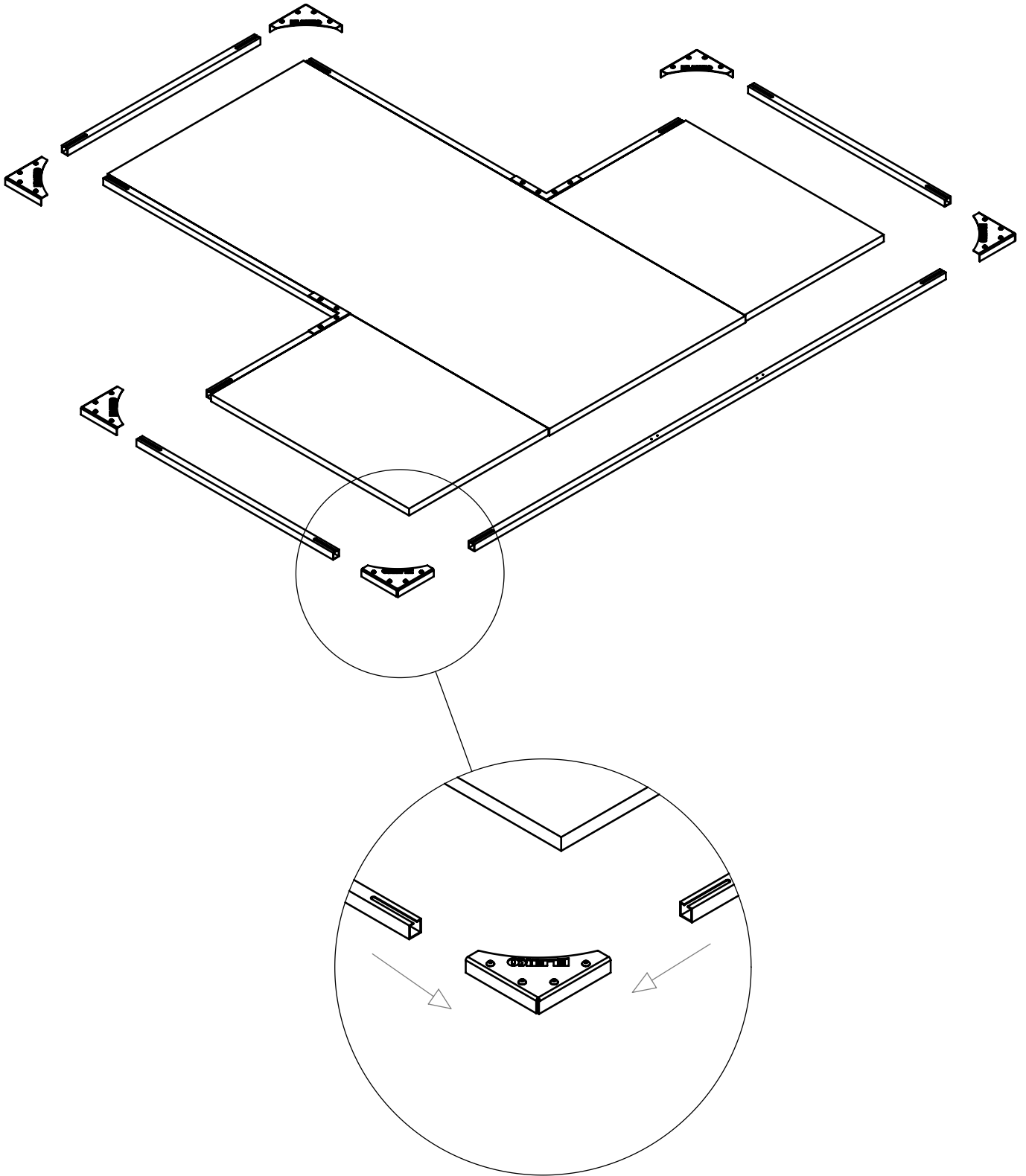
ELEIKO

5.



ELEIKO

6.



ELEIKO

ELEIKO

RAISE THE BAR

Eleiko Group AB | Klastorpsvägen 18 | SE-302 62 HALMSTAD | Sweden
E-mail: info@eleiko.com | Phone: +46 35 17 70 70

www.eleiko.com