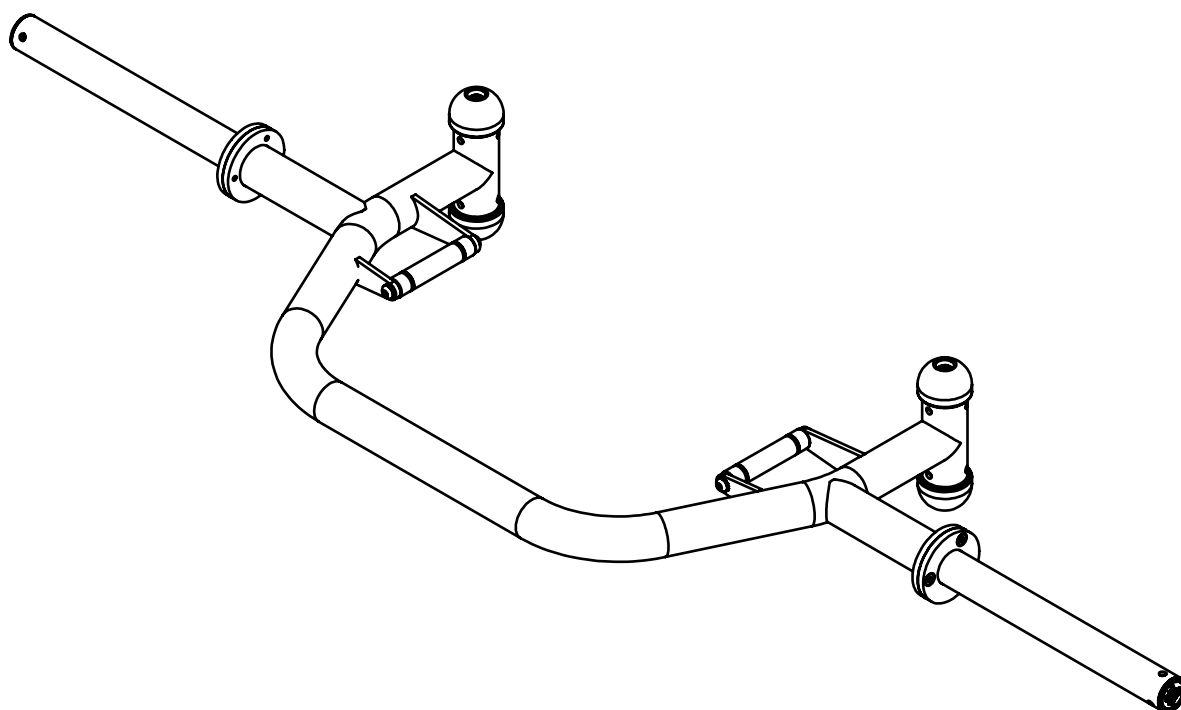


ELEIKO ÖPPEN DEADLIFT BAR

Art.nr 3085153



ELEIKO

READ BEFORE INSTALLATION AND USE

CAUTION

The equipment must be installed and used in a place whose access and supervision are specifically controlled by the owner.

Be sure to install the equipment on a stable base and properly level the equipment. ELEIKO recommends that all equipment is secured to floor and installed by a licensed contractor or an ELEIKO-installer.

SAFETY INSTRUCTIONS

It is the responsibility of the purchaser of ELEIKO products to instruct all users and supervising personnel on proper usage of the equipment.

1. All included warnings (labels) and instructions **MUST** be read before the use of any ELEIKO-equipment. Use each equipment as it is intended for.
2. A user **MUST** get a medical examination and proper instructions before the use of any ELEIKO-equipment.
3. **DO NOT** let anyone, under any circumstances, use equipment that appears to be damaged. Do not try to repair any equipment before consulting an ELEIKO technician.
4. **DO NOT** replace the components of ELEIKO-equipment with other none ELEIKO-equipment (magnetic safety pin, frames, bars), do not improvise. If there are any doubts consult an ELEIKO representative prior to any intervention.
5. **DO NOT** overload the equipment and **DO NOT** try to exceed personal strength levels.
6. Children under the age of 14 must be supervised by an adult.
7. **DO NOT** remove any safety labels from the ELEIKO-equipment. ELEIKO is not responsible if a label is removed. Replace damaged labels immediately.

PREVENTITIVE MAINTENANCE & INSPECTIONS

REGULARLY:

Clean the surfaces on frames and tubes from dust and dirt.

WARRANTY

All products manufactured by ELEIKO are warranted to the original purchaser to be free from defects in workmanship and / or materials under normal use or service as follows:

10 years on welds on structural frame (NOT on moving parts)

Normal wear and tear does not fall under the warranty of two years.

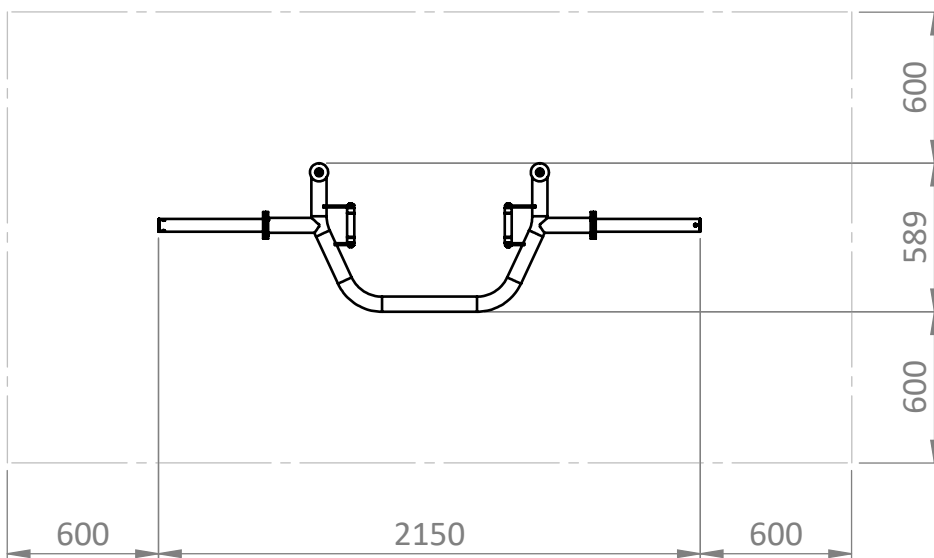
ADDITIONAL INFORMATION

This equipment is for indoor use only.

PRODUCT SPECIFICATIONS

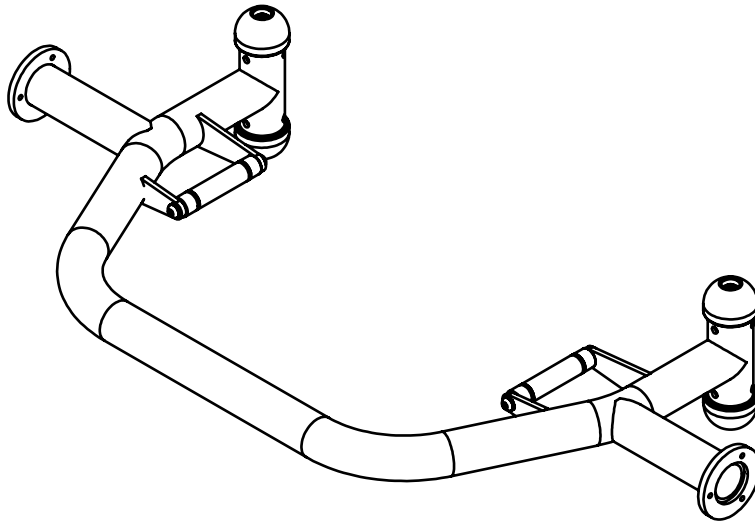
Product weight	25 kg / 55 lbs
Max training weight	500 kg / 1100 lbs
Dimensions (L x W x H)	2150x589x225 mm 84.6x23.2x8.9 in

FOOTPRINT AREA

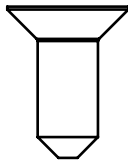


Add sufficient clearance, not less than 0,6 m, on all sides.

CONTENTS

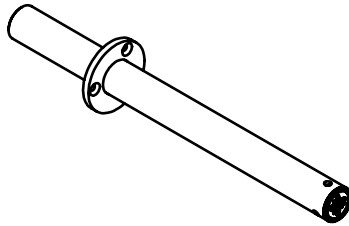


x6



screw M8x20
Art.no.2000913

x2



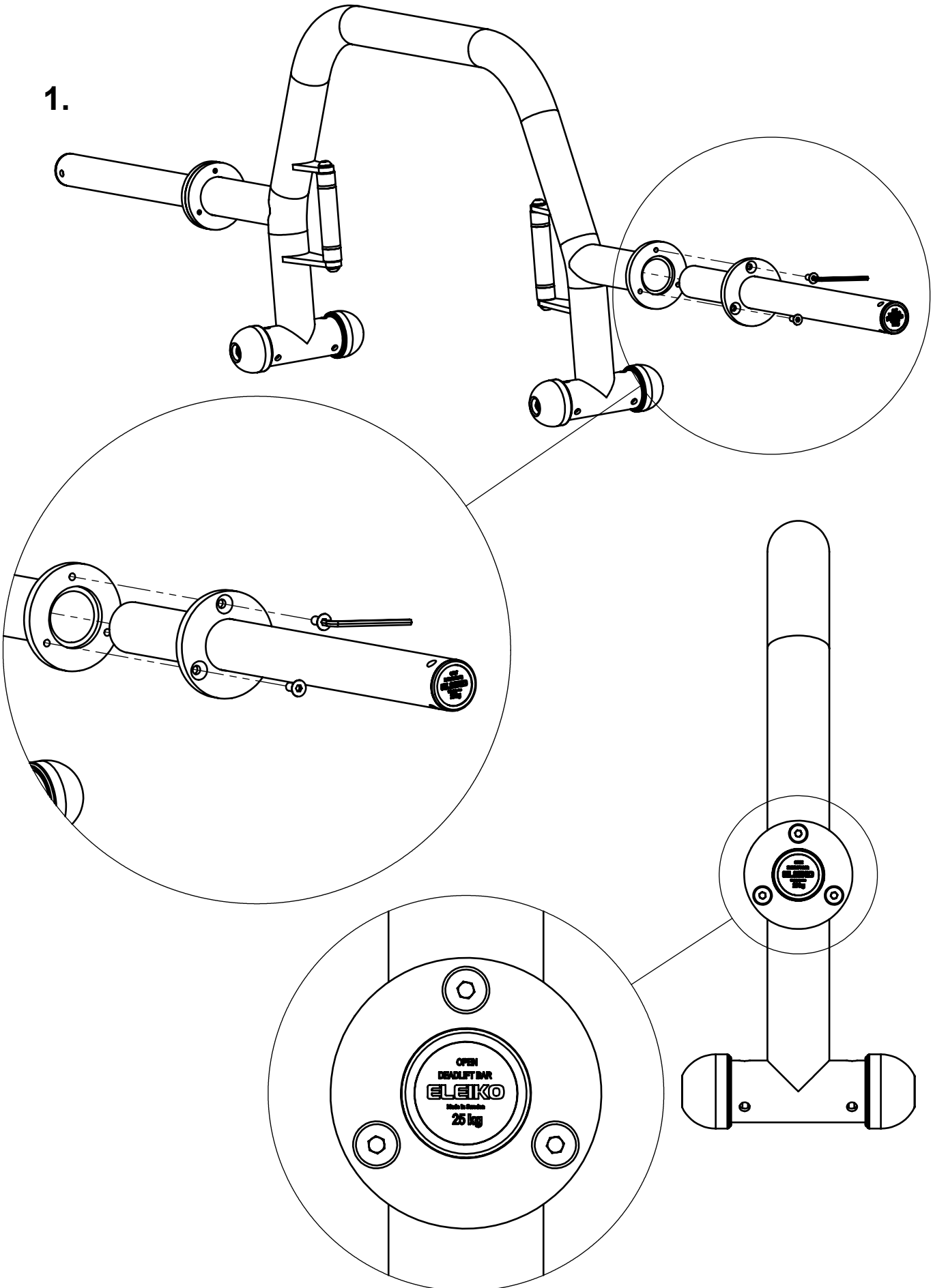
GENERAL

The table below is general torque to use for different threads. Use these torques, if nothing else is set. Below numbers are for screw/nut of quality 8.8.

THREAD	TORQUE (Nm / ftlb) Quality 8.8
M8	24 / 17,7

ASSEMBLY INSTRUCTIONS

1.





Eleiko Group AB | Klastorpsvägen 18 | SE-302 62 HALMSTAD | Sweden
E-mail: info@eleiko.com | Phone: +46 35 17 70 70

www.eleiko.com